

负温度系数(NTC)热敏电阻器

Negative Temperature Coefficient (NTC) Thermistor

CMF片式NTC热敏电阻器

CMF Chip-Type NTC Thermistor Series

● 特点

- ◎ 体积小
- ◎ 无引线, 适合高密度表面贴装
- ◎ 优良的可焊性及耐热冲击性
- ◎ 适合波峰焊及再流焊

● Features

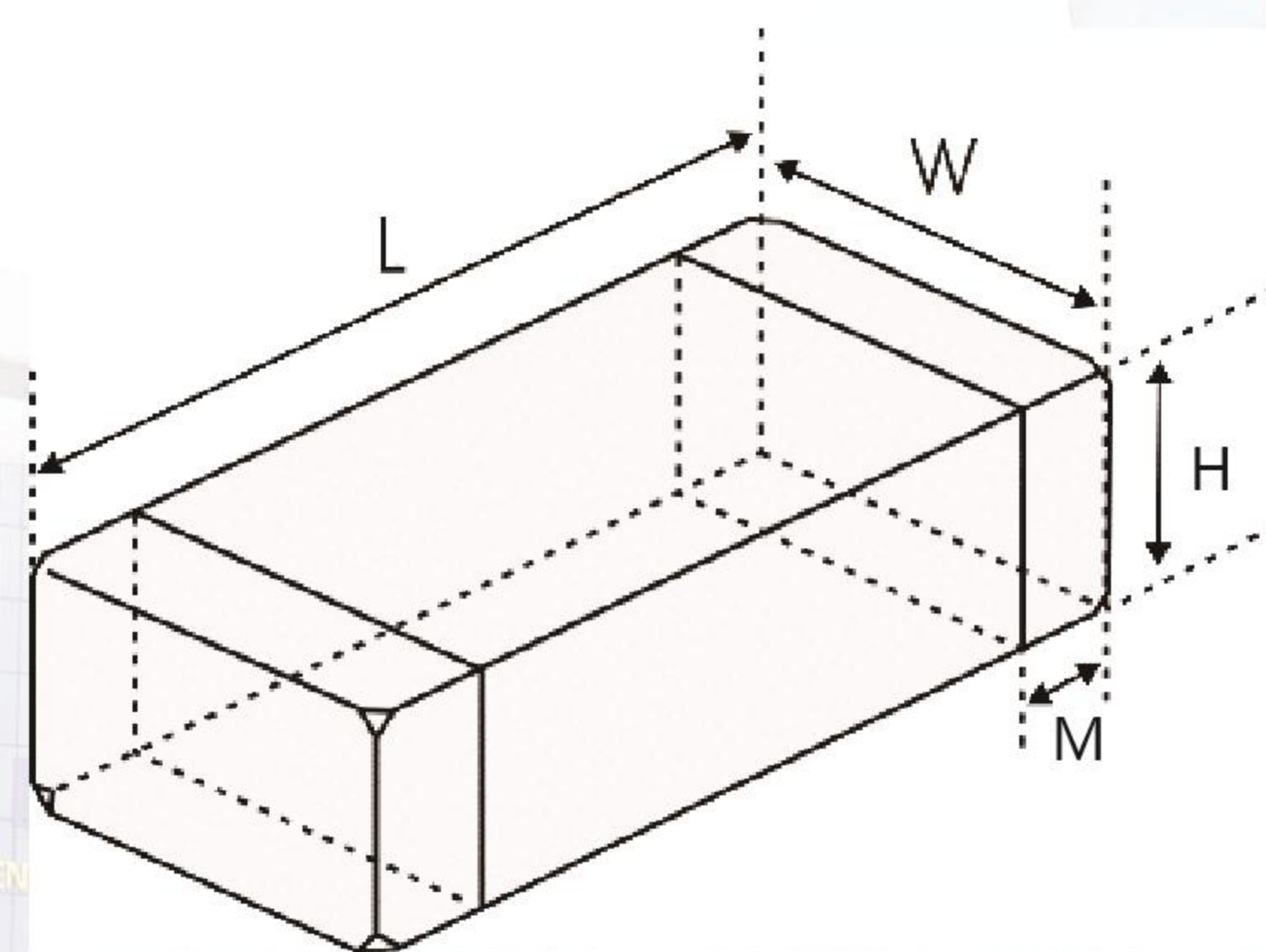
- ◎ Compact Size.
- ◎ Leadless Design, Ideal for High-Density Surface Mounting.
- ◎ Excellent Solderability and Heat Shock Resistance.
- ◎ Suitable for Wave Soldering and Reflow Soldering.

● 用途

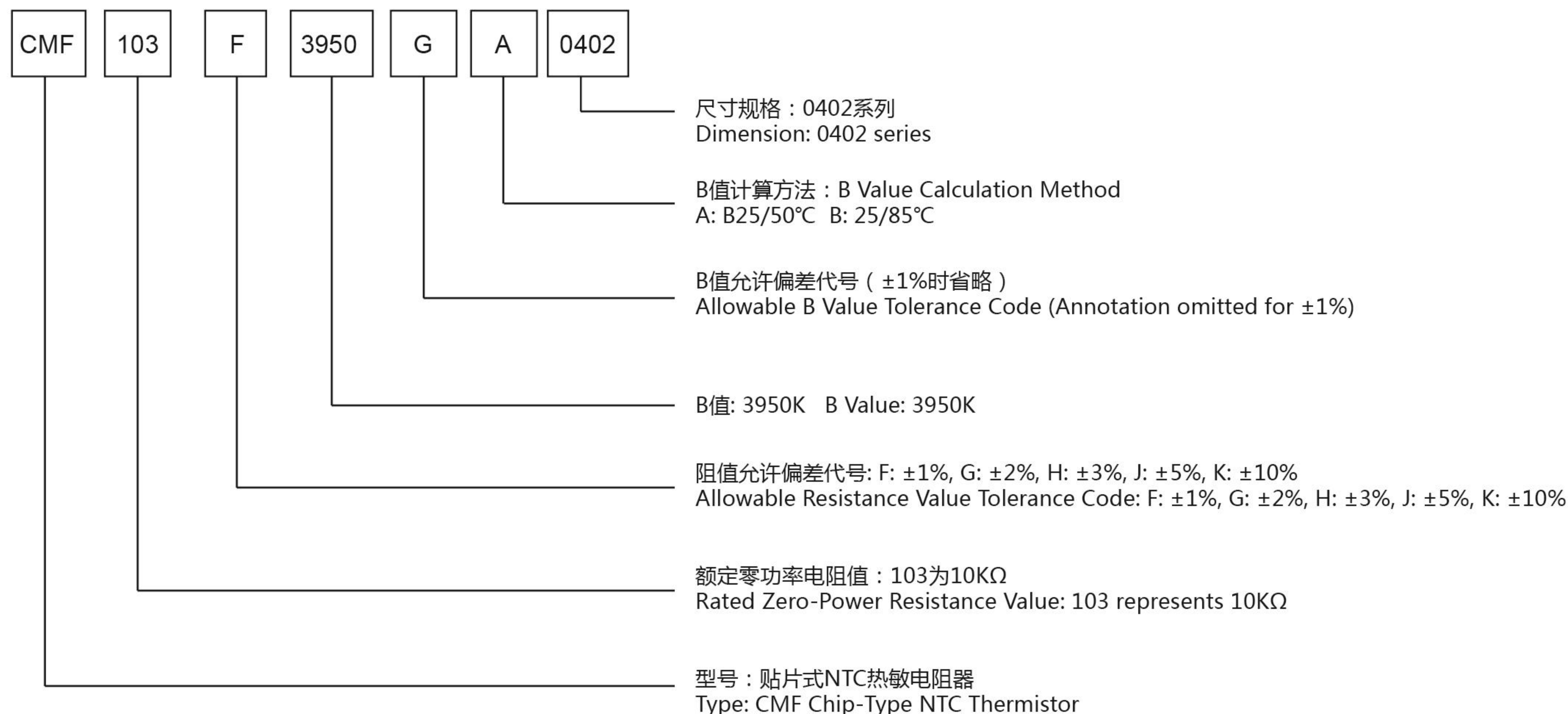
- ◎ 半导体集成电路、液晶显示、晶体管及移动通讯设备用石英振荡器的温度补偿
- ◎ 可充电电池的温度探测
- ◎ 计算机微处理器的温度探测
- ◎ 需温度补偿的各种电路

● Applications

- ◎ Temperature compensation for semiconductor integrated circuits, LCD displays, transistors, and quartz oscillators used in mobile communication devices.
- ◎ Temperature detection for rechargeable batteries.
- ◎ Temperature detection for computer microprocessors (CPU).
- ◎ Various circuits requiring temperature compensation.

● 外形结构和尺寸 Dimensions (mm)


型号 Part No.	长度 Length L	宽度 Width W	高度 Height H	端头宽 Terminal Width M
0402 (inch) (1005)(mm)	0.039±0.006 (1.0±0.15)	0.020±0.006 (0.5±0.15)	0.020±0.006 (0.5±0.15)	0.010±0.004 (0.25±0.1)
0603 (inch) (1608)(mm)	0.063±0.006 (1.6±0.15)	0.031±0.006 (0.8±0.15)	0.031±0.006 (0.8±0.15)	0.012±0.004 (0.3±0.2)
0805 (inch) (2012)(mm)	0.079±0.006 (2.0±0.20)	0.049±0.008 (1.25±0.2)	0.033±0.008 (0.85±0.20)	0.020±0.012 (0.5±0.3)

● 产品标志说明 Marking Instruction

● 产品系列 Product series
0402系列 0402 Series

型号 Part No.	标称阻值R25 Nominal Resistance Value R25 (KΩ)	B值 (25/85°C) B Value (25/85°C) (K)
CMF 103F3950□	10	3950
CMF 473F4050□	47	4050
CMF 104F4050□	100	4050

0603系列 0603 Series

型号 Part No.	标称阻值R25 Nominal Resistance Value R25 (KΩ)	B值 (25/85°C) B Value (25/85°C) (K)
CMF 103F3450□	10	3450
CMF 103F3970□	10	3970
CMF 223F3900□	22	3900
CMF 473F3950□	47	3950
CMF 104F3950□	100	3950
CMF 224F3950□	220	3950
CMF 103F3550□	10	3550
CMF 683F3950□	68	3950
CMF 564F4100□	560	4100

0805系列 0805 Series

型号 Part No.	标称阻值R25 Nominal Resistance Value R25 (KΩ)	B值 (25/85°C) B Value (25/85°C) (K)
CMF 472F3435□	4.7	3435
CMF 103F3435□	10	3435
CMF 103F3550□	10	3550
CMF 223F3900□	22	3900
CMF 473F4000□	47	4000
CMF 104F4000□	100	4000
CMF 103F3970□	10	3970
CMF 202F3200□	2	3200
CMF 153F3650□	15	3650
CMF 333F4050□	33	4050

1206系列 1206 Series

型号 Part No.	标称阻值R25 Nominal Resistance Value R25 (KΩ)	B值 (25/85°C) B Value (25/85°C) (K)
CMF 221F3200□	0.22	3200
CMF 331F3200□	0.33	3200
CMF 471F3250□	0.47	3250
CMF 681F3250□	0.68	3250
CMF 102F3350□	1.0	3350
CMF 222F3400□	2.2	3400
CMF 332F3400□	3.3	3400
CMF 472F3400□	4.7	3400
CMF 682F3400□	6.8	3400
CMF 103F3500□	10	3500
CMF 103F3900□	10	3900
CMF 153F3900□	15	3900
CMF 223F3950□	22	3950
CMF 333F4000□	33	4000
CMF 473F4100□	47	4100
CMF 683F4100□	68	4100
CMF 104F4200□	100	4200
CMF 224F4300□	220	4300